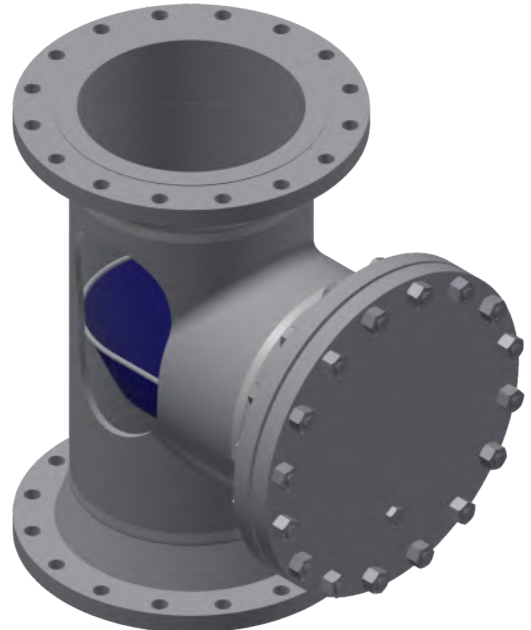
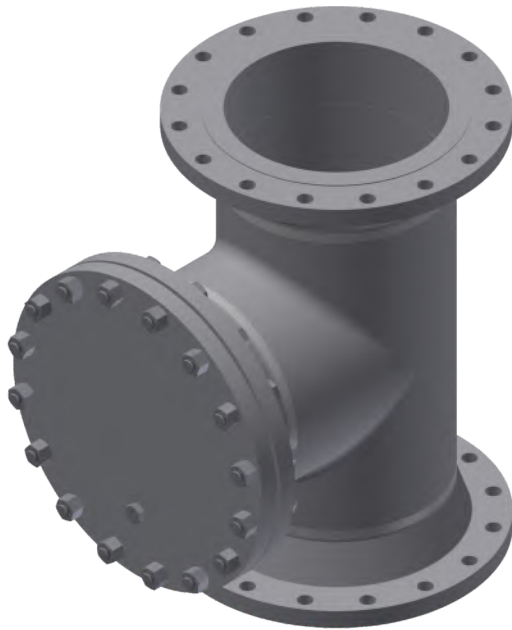


T Strainers - Fabricated

Solid - Liquid Separation



Salient Features

- Low Cost
- Quick delivery due to use of standard fittings
- Flexible Construction

Stock Housing Materials of Construction

- ASTM A234 Gr. WPB
- ASTM A105
- ASTM A403 Gr. WP304
- ASTM A182 Gr. F304
- ASTM A403 Gr. WP316
- ASTM A182 Gr. F316
- ASTM A516 Gr. 70
- ASTM A240 Type 304/316

Filter Element Materials of Construction

- Austenitic stainless steels
- Austenitic-ferritic stainless steels
- Nickel alloys
- Copper alloys

Design Features

- Suited for coarse filtration and low flows
- Built to ASME B31.3 standards
- ASME B16.9 equal tees standard
- ASME B16.5/B16.47 flanges standard

On-order Housing Materials of Construction

- Other Carbon steels
- Other low temperature carbon steels
- Low alloy steels
- Martensitic stainless steels
- Austenitic-ferritic stainless steels
- Nickel alloys
- Copper alloys

Filter Ratings

- 2000 μm to 8000 μm

Size

- Up to 60"

End Connections

- Flanged
- Butt Weld

Pressure Ratings

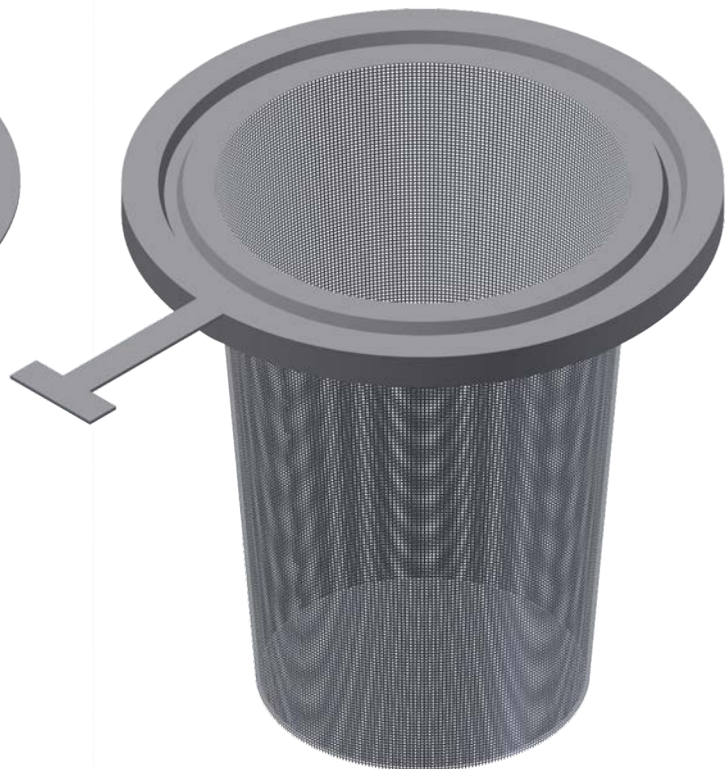
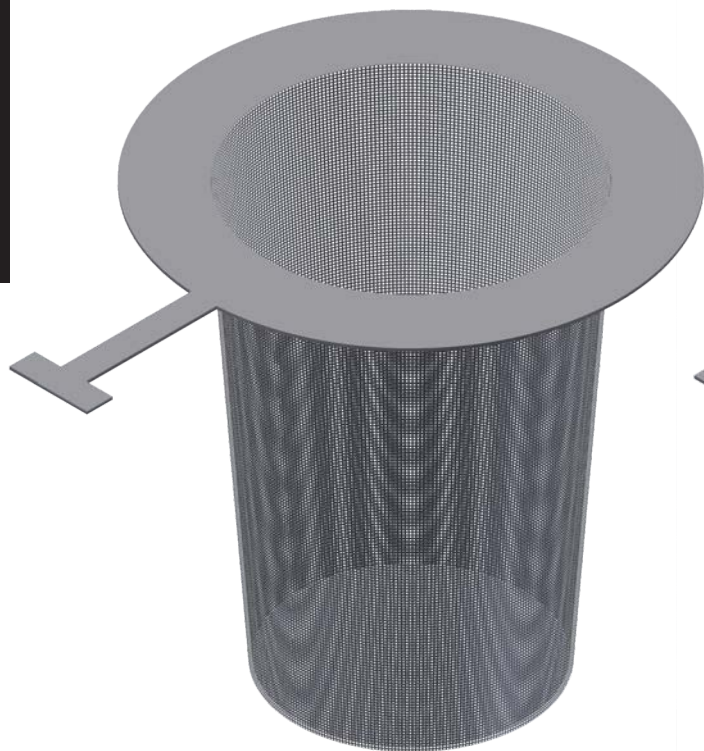
- Up to ASME #2500, API 10K

Industry Used In

- Oil & Gas
- Power Generation
- Environmental
- Industrial Utilities
- Marine
- Chemicals Manufacturing
- Metals Mining
- Aviation

Conical Strainers - Fabricated

Solid - Gas, Solid - Liquid Separation



Salient Features

- Easy to maintain and replaceable
- Horizontal or vertical installation
- Installable in existing pipeline (no extra space required)

Design Features

- Built to ASME 16.5/B16.47 standards
- API 6A standards also available
- Gross filter area of 600% as minimum

Materials of Construction

- Austenitic stainless steels
- Austenitic-ferritic stainless steels
- Nickel alloys
- Copper alloys

Filter Ratings

- 75 μm – 10000 μm

Size

- Up to 40"

End Connections

- Flanged (FF/RF)
- Flanged (RTJ)

Pressure Ratings

- Up to ASME #2500, API 15K

Industry Used In

- ◆ Oil & Gas
- ◆ Power Generation
- ◆ Environmental
- ◆ Industrial Utilities
- ◆ Marine
- ◆ Chemicals Manufacturing
- ◆ Metals Mining
- ◆ Aviation



Sungov Engineering Private Limited
 K27 Ambattur Industrial Estate
 Chennai – 600049, India
 P: +91 4426359940 F: +91 4426501408
 exportsales@sungov.com | www.sungov.com

Sungov Asia Pacific Private Limited
 1, North Bridge Road, #19-04 / 05
 High Street Center, Singapore 179094
 P: +65 63378091 F: +65 63378094
 sales@sungov.sg | www.sungov.sg

Sungov Engineering (M) Sdn. Bhd.
 Suite 1705A, Level 17, Menara Landmark
 12 Jalan Ngee Heng, 8000 Johor Bahru, Malaysia
 P: +60 122898369 F: +60 321784313
 sales@sungov.com.my | www.sungov.com.my