

# Cartridge Filters

Solid - Gas, Solid - Liquid Separation



## Salient Features

- Low operational cost (interchangeable elements)
- Low pressure drop across filter elements
- Quick open cover design for easy filter servicing
- Filter ratings from 0.3 $\mu$ m to 450 $\mu$ m
- High dirt holding capacity for long service life
- Thread free sealing

## Design Features

- Built to ASME VIII Div 1 standards; ASME Code stamping as option
- Vessel design for vacuum as option
- Customization of filter area (multi-element design) for optimal filtration performance
- Filter elements conforming to ISO 2942 as option
- Filter elements in disposable or reusable configuration
- Robust filter element design with 0.3 MPa collapse pressure as minimum

## Capacities

- Maximum number of filter elements per housing  
- Up to 240 elements (of Size S1X)
- Maximum height of unit element – 950mm
- Smallest (finest) filter rating – 0.3  $\mu$ m
- Maximum filter area per element – Up to 4.4 m<sup>2</sup>

## Stock Housing Materials of Construction

- ASTM A106 Gr. B
- ASTM A105
- ASTM A312 TP304
- ASTM A182 Gr. F304
- ASTM A312 TP316
- ASTM A182 Gr. F316
- ASTM A240 Type 304/316





### On-order Housing Materials of Construction

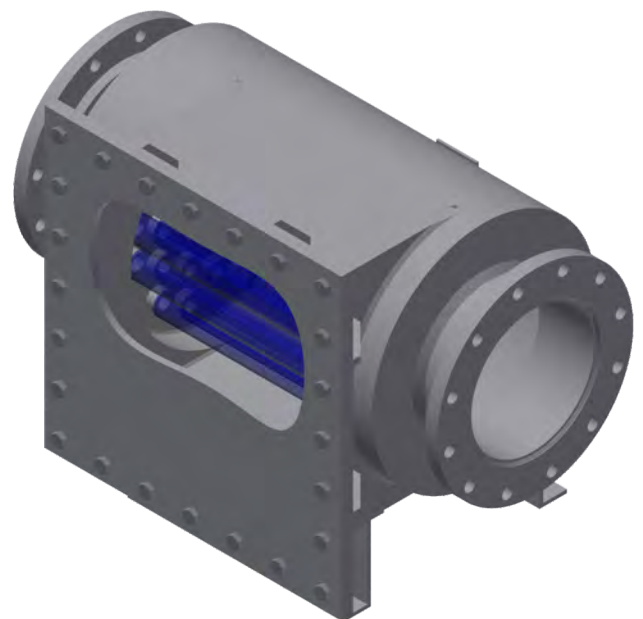
- Other Carbon steels
- Other low temperature carbon steels
- Low alloy steels
- Martensitic stainless steels
- Austenitic-ferritic stainless steels
- Nickel alloys
- Copper alloys

### Filter Element Materials of Construction

- Stainless steel woven mesh
- Alloy steel woven mesh
- Stainless steel sintered woven mesh
- Nonwoven borosilicate micro-glass fiber
- Nonwoven fluoro-polymer coated borosilicate micro-glass fiber
- Nonwoven cellulose fiber
- Nonwoven polyethylene terephthalate fiber

### Size & Pressure Ratings

- Up to 120"
- Up to ASME #2500



### Industry Used In

- |             |                           |                 |                        |
|-------------|---------------------------|-----------------|------------------------|
| ◆ Oil & Gas | ◆ Power Generation        | ◆ Environmental | ◆ Industrial Utilities |
| ◆ Marine    | ◆ Chemicals Manufacturing | ◆ Metals Mining | ◆ Aviation             |



**Sungov Engineering Private Limited**  
 K27 Ambattur Industrial Estate  
 Chennai – 600049, India  
 P: +91 4426359940 F: +91 4426501408  
 exportsales@sungov.com | www.sungov.com

**Sungov Asia Pacific Private Limited**  
 1, North Bridge Road, #19-04 / 05  
 High Street Center, Singapore 179094  
 P: +65 63378091 F: +65 63378094  
 sales@sungov.sg | www.sungov.sg

**Sungov Engineering (M) Sdn. Bhd.**  
 Suite 1705A, Level 17, Menara Landmark  
 12 Jalan Ngee Heng, 8000 Johor Bahru, Malaysia  
 P: +60 122898369 F: +60 321784313  
 sales@sungov.com.my | www.sungov.com.my